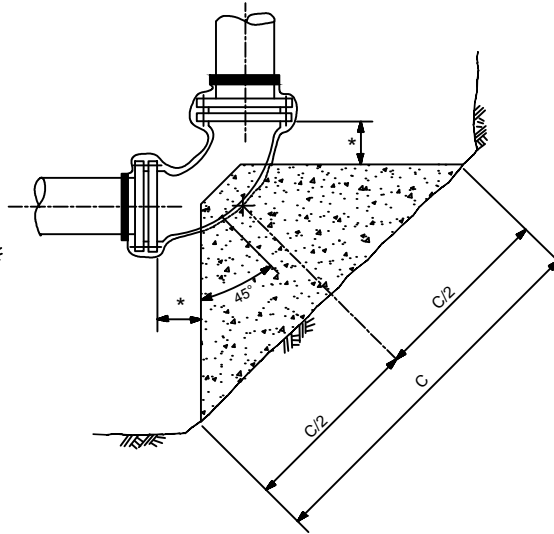
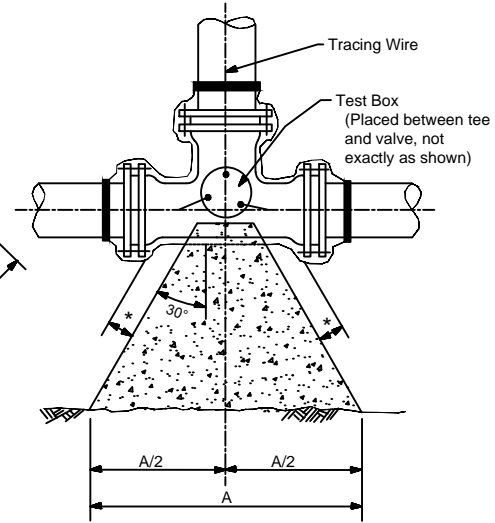


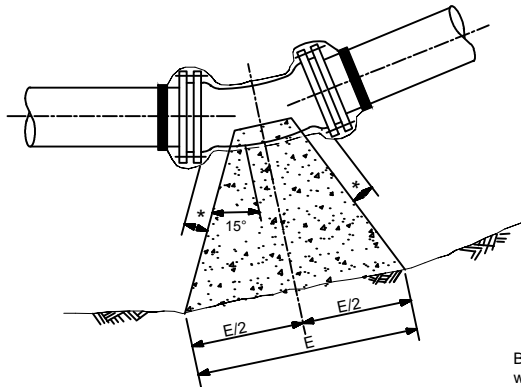
45° BEND



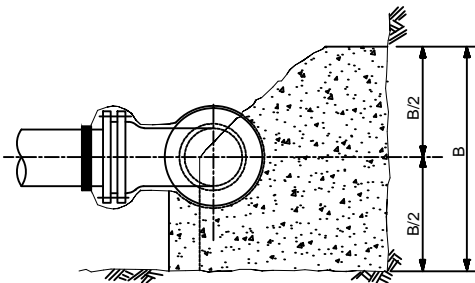
90° BEND



TEE (DEAD END OR FIRE HYDRANT SIMILAP)



11 1/4° & 22 1/2° BEND



ELEVATION

Blocking shall be poured after blue polyethelene wrap is in place.
Blocking shall be inspected by the District prior to backfilling.

150 PSI/250 PSI

| PIPE SIZE | A | B | C | D | E |
|-----------|----------|----------|-----------|----------|----------|
| 6" | 2'0"/26" | 1'6"/16" | 3'0"/36" | 1'6"/20" | 1'0"/10" |
| 8" | 2'6"/36" | 2'0"/20" | 3'6"/46" | 2'0"/26" | 1'0"/16" |
| 10" | 3'6"/40" | 2'6"/26" | 4'6"/56" | 2'6"/30" | 1'6"/16" |
| 12" | 4'0"/50" | 3'0"/30" | 5'6"/66" | 3'0"/36" | 1'6"/20" |
| 16" | 5'0"/60" | 3'0"/40" | 7'0"/86" | 4'0"/46" | 3'0"/30" |
| 20" | 6'0"/76" | 5'0"/50" | 7'0"/106" | 4'0"/60" | 3'0"/30" |

* Distance to be 1/2" longer than entire length of the bolt used.

NOTES

- 1 DIP Fittings shall be per specifications.
- 2 Concrete to be 3500 psi.
- 3 All fittings to be Mechanical Joint.
- 4 Thrust blocks to be placed against undisturbed earth - use additional concrete as required for over excavation.
- 5 Blocking to be placed in a manner so that bolts can be removed without disturbing the block.

BY DATE

REVISION

N. KY. WATER DISTRICT

CONCRETE THRUST BLOCK
DETAIL

DRAWN BY:
SAR

APPROVED:

RH

DATE: 8/5/2014

STANDARD
DRAWING NO:

104